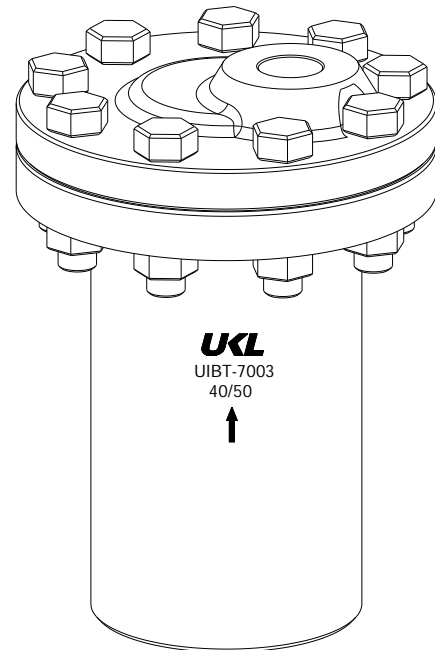


Steam used for secondary heating like coils, vessels, heat exchangers etc, generate a lot of condensate post heat transfer. This large quantity of condensate can be handled by the Inverted Bucket Trap. This condensate has a substantial heat component with cost tagged to it. Also this is treated & pure water and can be used as Feed water for the boiler, saving the cost of heating, water bill and treatment chemicals. Therefore it makes sense to recycle / reuse this condensate. This function is done by the Inverted Bucket Trap which works on the principle of buoyancy [density difference of Water and Steam]. The rise in condensate level fills and envelopes the bucket causing it to sink which opens the mechanically linked valve and discharges the condensate, and reverse when the level of condensate drops, steam enters the bucket, causes the flotation of the bucket which close the valve and stops condensate discharge & traps the live steam.



FEATURES:-

- UKL UIBT is optimally sized for complete removal of condensate.
- UKL UIBT is designed to eliminate internal damages caused by impingement of condensate.
- UIBT is suitable for high pressure applications.
- Maintenance free and long life.

MATERIAL OF CONSTRUCTION:-

ASTM A216 Gr. WCB (Cast Carbon Steel)
ASTM A217 Gr. WC6 /WC9 (Cast Alloy Steel) (Optional)

SIZES AVAILABLE:-

40 NB & 50 NB

END CONNECTIONS:-

Screwed to BSP / BSPT / NPT
Socket Weld to ASME B 16.11
Flanged End #600

OPTIONAL:-

IBR (On Request)
Flanged End Connections

AVAILABLE DIFFERENTIAL PRESSURE (DP) :-

1 / 1.7 / 3 / 4 / 5.5 / 8.5 / 12.5 / 17 / 25.5 / 34.5 / 41.5 / 48.5 / 69 Kg/cm² (g)

OPERATING CONDITIONS:-

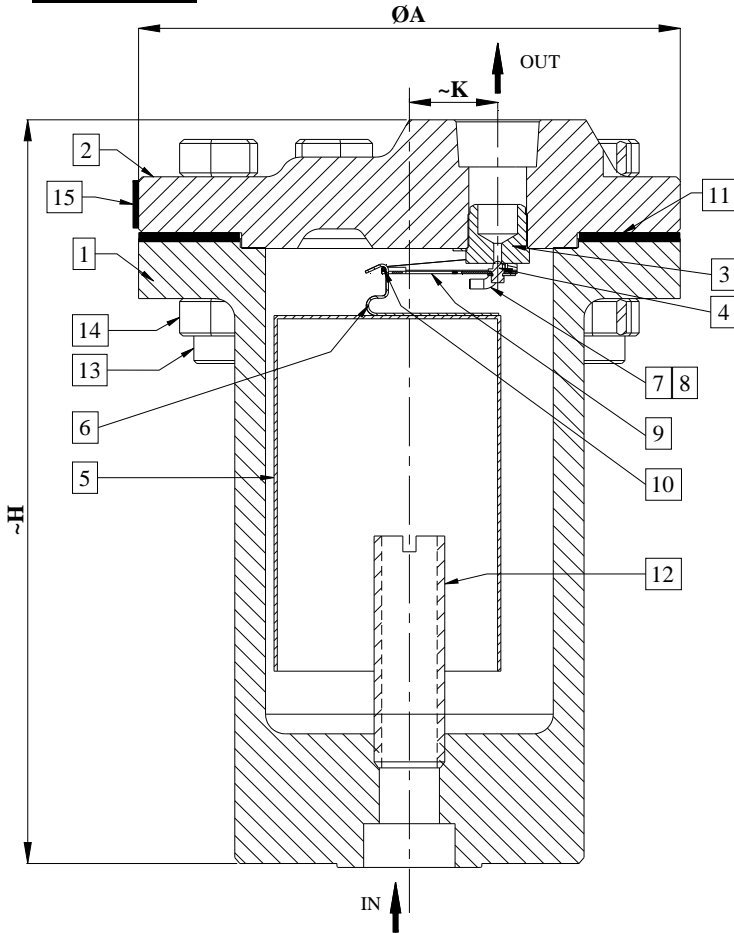
For ASTM A216 Gr. WCB
Maximum Operating Pressure :- 69 Kg/cm² (g)
Maximum Operating Temperature :- 400°C

DESIGN CONDITIONS:-

For ASTM A216 Gr. WCB
Maximum Design Pressure :- 69 Kg/cm² (g)
Maximum Design Temperature :- 426 °C

UKL-DS-UIBT-7003-R00-MARCH-2018

UIBT 7003

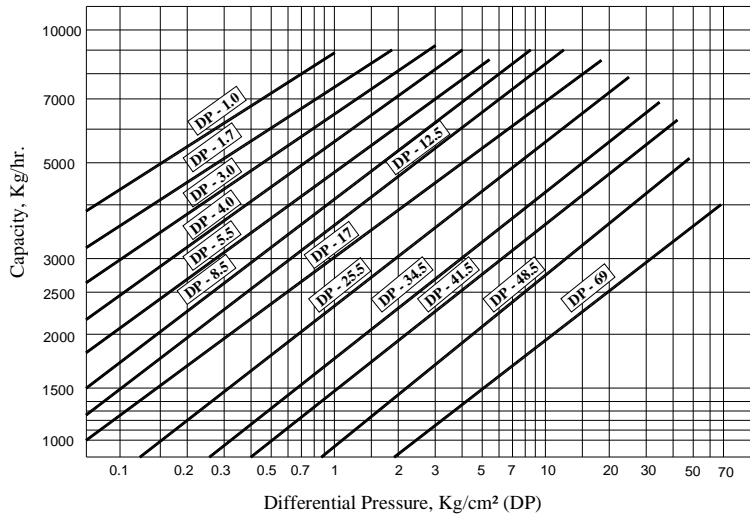


DIMENSIONS UIBT - 7003	
ØA	315 mm
~H	490 mm
~K	54 mm
WEIGHT (Screwed/SW)	~96 Kgs

BILL OF MATERIAL		
NO. PART	DESCRIPTION	M.O.C.
1	BODY	ASTM A 217 Gr. WC6 / WC9 ASTM A 216 Gr. WCB
2	COVER	ASTM A 217 Gr. WC6 / WC9 ASTM A 216 Gr. WCB
3	VALVE SEAT	ASTM A 681 Gr.D2
4	VALVE PIN	ASTM A 681 Gr.D2
5	BUCKET	AISI 304
6	BUCKET HOOK	AISI 304
7	BRACKET	AISI 304
8	BRACKET PIN	AISI 304
9	LEVER	AISI 304
10	LEVER PIN	AISI 304
11	BODY GASKET	CI-18
12	INLET TUBE	ASTM A 106 Gr. B
13	STUDS	ASTM A 193 Gr. B7
14	NUTS	ASTM A 193 Gr. 2H
15	NAME PLATE	STAINLESS STEEL

Note –All dimensions and weights are approximate.
- Traps with flanges may have different Pressure - Temperature rating.

FLOW CAPACITY CHART - UIBT - 7003



Other Products : Cast / Forged Steel Piston Valves, Bellow seal valves, High Pressure valves (Gate/Globe) , Strainers – "Y" Type Steam Traps (Thermodynamic, Thermostatic, Ball Float Traps), Pressure Reducing Station, Condensate Recovery Products. Level Gauges (Reflex, Transparent, Bicolor), Sight Glass, Hot Water Generation System, Safety and Relief Valves.
FSD Products : Compressed Asbestos / Non Asbestos Fiber Sheetting / Cut Gaskets, Spiral Wound Gaskets.

In view of technical progress design and dimensions are subjected to change without notice.

UKL® UNI KLINGER LIMITED
A joint venture of the Neterwala group of companies and KLINGER AG, Switzerland.

Central Sales Office & Pune Branch : SC1, 5th Fl., Kohinoor Est. Mumbai-Pune Highway, Khadki, Pune-411 003. Tel.: +91-20-4102 3000 Fax.: (020) 4102 3001
e-mail : salesco@uniklinger.com, salespune@uniklinger.com, Website : www.uniklinger.com

Factory : C-37, M.I.D.C., Ahmednagar – 414 111, Maharashtra, Tel. : 0241 – 2777223/2777512 Fax: 0241 – 2777294, E-mail : fdworks@uniklinger.com

Branch Offices :

Baroda : 102, 1st Floor, Ofel Towers-II R.C. Dutt Road, Baroda-390 005, Tel.: 91-0265-2312343/2340660, Fax.: 91-265-2341419, E-mail : salesbar@uniklinger.com
Chennai : East Coast Centre, 5th Floor, 553, Mount road, Teyanampet, Chennai - 600 018, Tel.: 91 - 44 - 24345707, Fax.: 91 - 44 - 24343960, E-mail : saleschen@uniklinger.com
Kolkata : 9, Chitrakoot, 8th Floor, 230 A, A.J.C Bose road, Kolkata-700 020, Tel.: 91-33-22872510, Fax.: 91-33-22876494, E-mail : salescal@uniklinger.com
Mumbai : Ecstasy Business Park Co-op. Society Ltd, Office no.714, 7th floor, J.S.D. Road, Mulund (W), Mumbai- 400080, E-mail : salesmum@uniklinger.com
Delhi : 321, Ansal Chamber-II, 6, Bhikaji Cama Place, New Delhi-110 066, Tel.: 91-11-41658767/91-11-26193847, Fax.: 91-11-41658768, E-mail : salesdel@uniklinger.com